

Tank Vent Check Valves Type RMO (overflow)

RMO with PN10 flange - DN 40-300

Standard type

Galvanised steel (thickness according IACS rules)

With PE Float ball

With Flange acc. DIN 2576 PN10

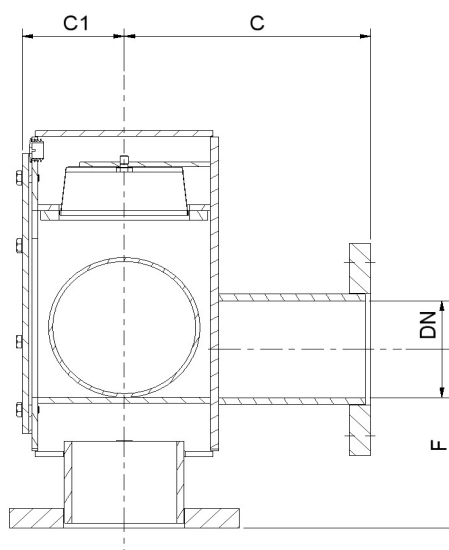
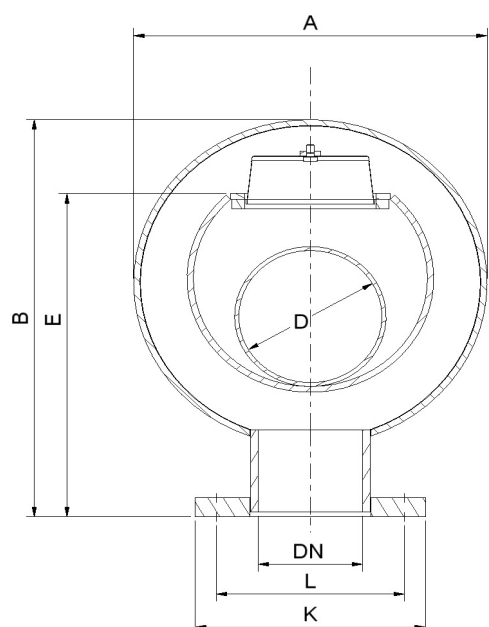
Airflow Velocity: max. 4 m/s

With Screen

Options

No Screen

Other Flange Connection



DN	40	50	65	80	100	125	150	175	200	250	300
A	210	210	264	264	338	402	492	492	587	642	767
B	299	299	342	347	412	510	581	580	685	748	886
C1	62.5	62.5	82.5	82.5	97.5	112.5	136.5	136.5	172.5	195	205
C	200	200	220	220	235.5	250	275	295	310	335	345
D	85	85	120	120	145	185	240	240	300	325	360
E	239	239	270	275	335	410	461	461	556	590	695
F (Ø)	145	150	152	165	185	227	240	252	310	330	382
K	150	165	185	200	220	250	285	315	340	395	445
L Stc.	110	125	145	160	180	210	240	270	295	350	400
L boltholes	4 / Ø18	4 / Ø18	4 / Ø18	8 / Ø18	8 / Ø18	8 / Ø18	8 / Ø22	8 / Ø22	8 / Ø22	12 / Ø22	12 / Ø22
(all sizes in mm)											
Weight in kg	14	16	24	25	36	53	74	79	108	134	169